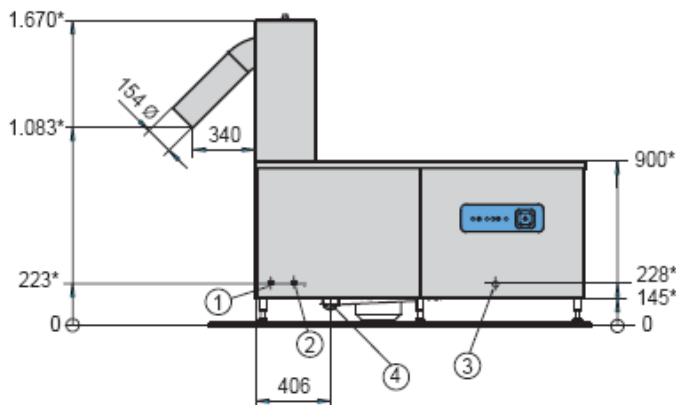




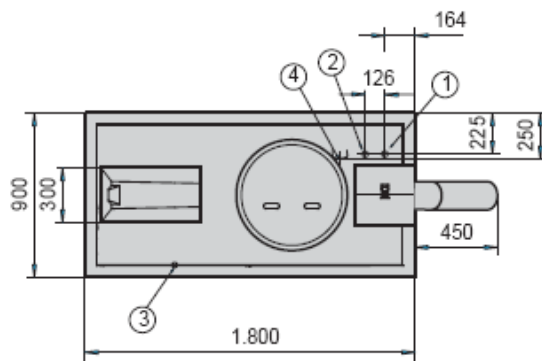
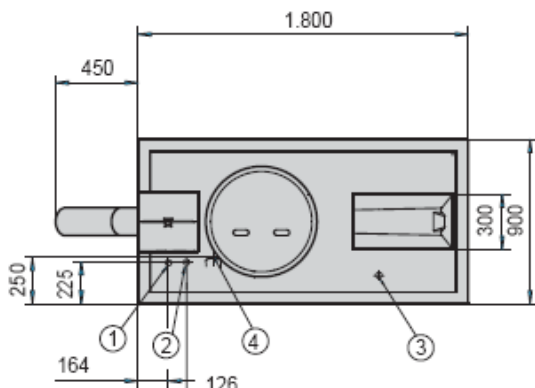
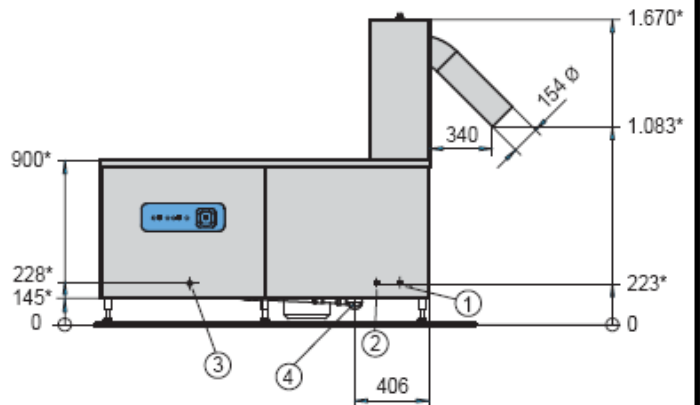
Model ECO-355-1 shown

- **Compact modular system.** Designed to process large volumes of organic & non-organic (max 20%) waste
- Very compact & easy to use
- **Reduces waste** up to 1/8 of original volume
- **Low water consumption** for operation & cleaning
- **Fully enclosed** construction for optimum ease of cleaning and operator safety
- 1.4301 Series stainless steel construction
- Worm and strainer cylinder easily removed without tools
- **Optional** automatic self-cleaning model available (ECO-355-3). N.B. requires warm water connection

**Working direction right/ left**



**Working direction left/ right**



\* ± 15 mm adjustable feet

1. COLD water connection	3/4" BSP
2. WARM water connection	3/4" BSP
water temperature	55-65°C
3. electrical connection	415/50/3
total loading	7.1kW
4. drain connection	70mm

**STANDARD-VERSION**

**Discharge chute can be turned to 90° positions  
Control box also wall mounted available.**